

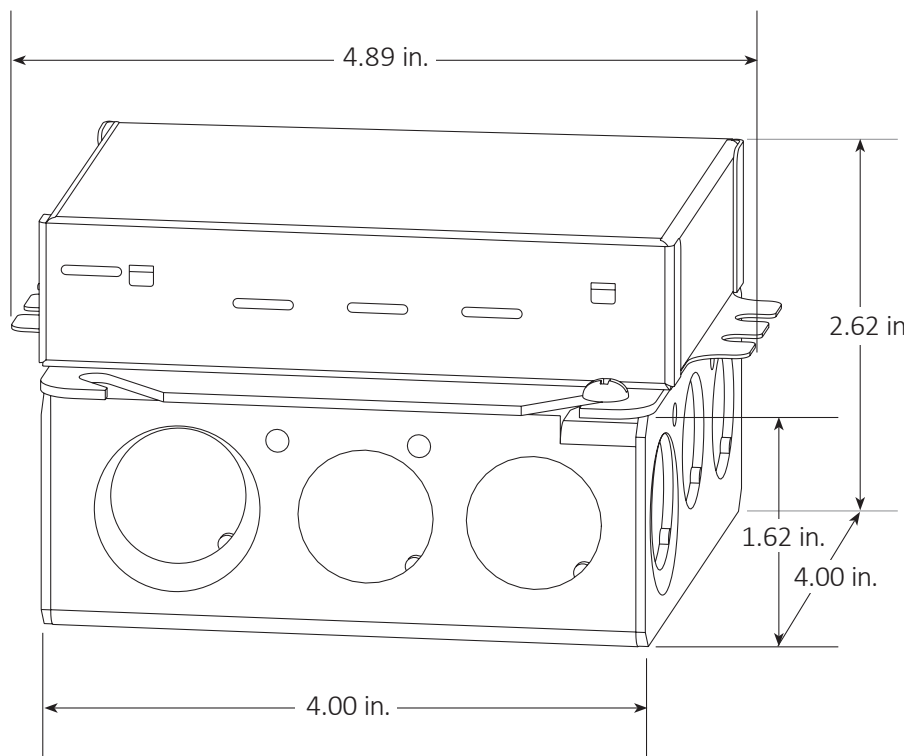
Specified Item #	
Project	
Location	



**SPECIFICATIONS**

		DI-DM-12V40W-LTE	DI-DM-24V40W-LTE
Input	Voltage / Frequency	120AC~ at 50/60Hz	
	Current (Full Load)	400mA (120V~)	380mA (120V~)
	Efficiency / Power Factor (max)	79% / 0.98 (120V~)	84% / 0.99 (120V~)
	Wire or Terminal Connection	Pre-wired with 6 in. solid copper 18 AWG leads in all terminal blocks. Ground chassis in j-box.	
Output	Voltage (Full Load)	12VDC	24VDC
	Max Current (Full Load)	0.42 ~ 3.3A	1.95 ~ 0.21A
	Power (Wattage) <sup>1</sup>	5 - 40W	
	Output Dimming Method	Pulse Width Modulation (PWM). Frequency: 550 Hz	
	Wire or Terminal Connection	Low voltage output terminals pre-wired with 6 in. solid copper 18 AWG leads. EcoSystem Digital Link terminals are not pre-wired. Accepts 18 to 16 AWG solid copper wire per terminal.	
# Output Connections	1		
Environment	Ambient Temperature <sup>2</sup>	32 ~ +104°F (0 ~ +40°C)	
	Location	Suitable for indoor / dry location.	
	Class 2 Compliant	Yes	
	Housing / Cooling	Cooling by free-air convection.	
Additional Information	Safety Standards	UL Listed 8750 (US & Canada), ANSI/ESD S20.20, ANSI C62.41, RoHS compliant, FCC Part 15 compliant for commercial use.	
	Protections	Open circuit protected. Short circuit protected.	
	Dimmable <sup>3</sup>	Yes. Must be paired with a compatible Lutron 2-wire forward phase control / dimmer.	
	Dimensions	4.89 x 4.00 x 2.62 in. (L x W x H)	
	Weight	1 lb.	

**Note <sup>1</sup>** Do not exceed 40W maximum load. This driver does not require derating. See dimmer switch specifications for minimum load requirements.  
**Note <sup>2</sup>** Do not install product in an environment outside the listed ambient temperature. Ensure adequate airflow and heatsinking is considered when mounting/installing.  
**Note <sup>3</sup>** See the 'LTE Model Installation Guide & Compatibility List' for compatible dimmers.

**MECHANICAL DIAGRAM**


Driver includes a 4 in. square junction box, which complies with NEMA® OS 1-2008.

**Side Knockouts**

- 8 locations: 0.5 in.
- 4 locations: 0.5 / 0.75 in.

**Bottom Knockouts**

- 2 locations: 0.5 in.
- 2 locations: 0.5 / 0.75 in.

See the 'LTE Model Installation Guide & Compatibility List' for system diagrams and compatible controls.

**SAFETY & WARNINGS**

- Turn power OFF at the main breaker before servicing or installing this product.
- This driver must be installed in accordance with Article 450 of the National Electric Code, and local regulations.
- This product is intended to be installed and serviced by a qualified, licensed electrician.
- This driver must be grounded to the green grounding wire.
- Install in a well-ventilated area free from explosive gases and vapors.
- This product is suitable for indoor / dry location only.
- Only install compatible LED dimmable fixtures and Lutron controls.
- Ensure applicable wire is installed between driver, fixture, and any controls in between. When choosing wire, factor in voltage drop, amperage rating, and type (in-wall rated, wet location rated, etc.). Inadequate wire installation could overheat wires, and cause fire.
- Do not modify or disassemble this product or the warranty will be void.
- Only install dimmers or controls listed on the 'LTE Model Installation Guide & Compatibility List.'