

SABER™ 120V LED Under Cabinet Light

Easy-to-install 120V fixtures for under cabinet and task lighting.
Field switchable between five built-in CCT options.

Date _____

Project Notes _____

FEATURES

- Five field-selectable CCTs: 2700K, 3000K, 3500K, 4000K, and 5000K
- 120VAC – no drivers needed
- Link multiple fixtures for long runs
- Diffused lighting with no hot spots
- TRIAC and ELV dimming down to 5%
- Concealed self-contained mounting
- Two power modes: Full power and Half power



ORDERING CODES

Order fixtures, and components for installation

| Diode LED | Voltage | Model | Length |
|-----------|---------|-------|----------------------|
| DI | | | |
| | 120V | SABER | 08 14 22 33 |

| Model | DI-120V-SABER-08 | DI-120V-SABER-14 | DI-120V-SABER-22 | DI-120V-SABER-33 |
|-----------------------|--|--|--|--|
| Voltage | 120VAC | 120VAC | 120VAC | 120VAC |
| Wattage | 5W | 9W | 11W | 16W |
| Lumens | 2700K: 256 3000K: 265 3500K: 270 4000K: 279 5000K: 280 | 2700K: 498 3000K: 516 3500K: 516 4000K: 541 5000K: 547 | 2700K: 624 3000K: 637 3500K: 628 4000K: 667 5000K: 672 | 2700K: 876 3000K: 890 3500K: 867 4000K: 942 5000K: 954 |
| CRI | 90+ | 90+ | 90+ | 90+ |
| Dimensions | 8 × 3.55 × 0.98 in. (L x W x H) | 14 × 3.55 × 0.98 in. (L x W x H) | 22 × 3.55 × 0.98 in. (L x W x H) | 33 × 3.55 × 0.98 in. (L x W x H) |
| TM-30 (LM-80) | >50,000 hours | >50,000 hours | >50,000 hours | >50,000 hours |
| Environment | Indoor / Damp Location | Indoor / Damp Location | Indoor / Damp Location | Indoor / Damp Location |
| Ambient Temperature | -4° ~ 122°F (-20° ~ 50°C) | -4° ~ 122°F (-20° ~ 50°C) | -4° ~ 122°F (-20° ~ 50°C) | -4° ~ 122°F (-20° ~ 50°C) |
| Operating Temperature | -4° ~ 176°F (-20° ~ 80°C) | -4° ~ 176°F (-20° ~ 80°C) | -4° ~ 176°F (-20° ~ 80°C) | -4° ~ 176°F (-20° ~ 80°C) |
| Certification | ETL Certified | ETL Certified | ETL Certified | ETL Certified |
| Warranty | 5 Year | 5 Year | 5 Year | 5 Year |

SABER™ 120V
LED Under Cabinet Light

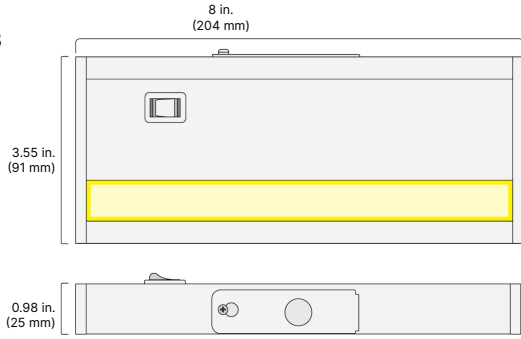
Easy-to-install 120V fixtures for under cabinet and task lighting.
Field switchable between five built-in CCT options.

Date _____

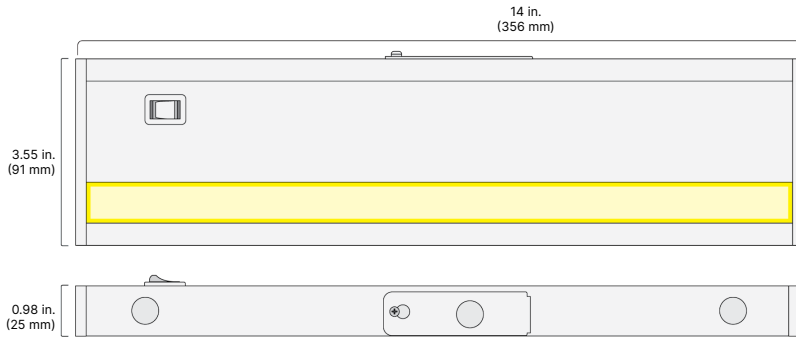
Project Notes _____

MECHANICAL DIAGRAMS

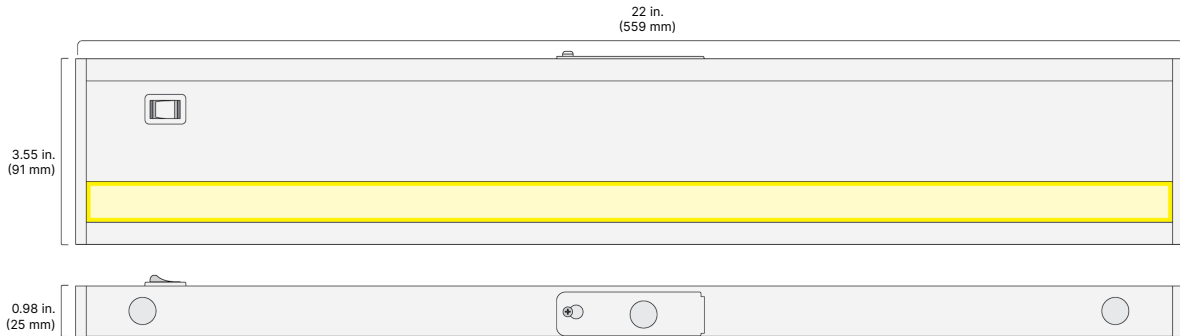
DI-120V-SABER-08



DI-120V-SABER-14



DI-120V-SABER-22



SABER™ 120V LED Under Cabinet Light

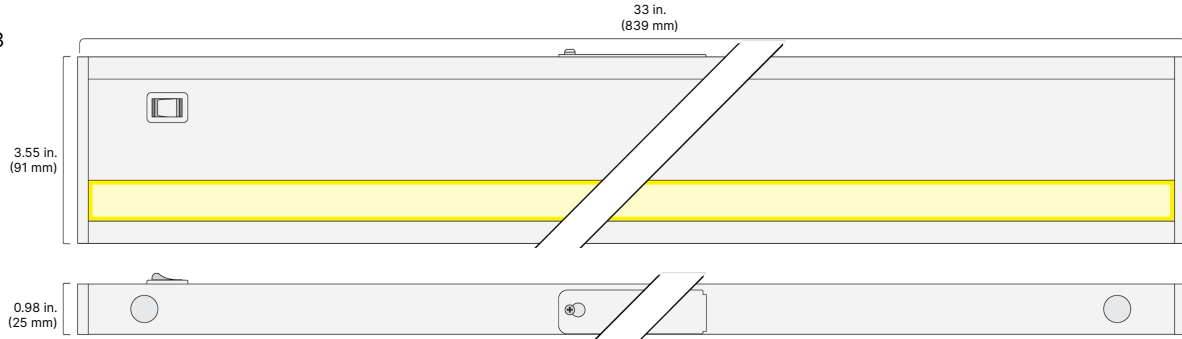
Easy-to-install 120V fixtures for under cabinet and task lighting.
Field switchable between five built-in CCT options.

Date _____

Project Notes _____

MECHANICAL DIAGRAMS

DI-120V-SABER-33



RECOMMENDED DIMMERS

- LUTRON: Ariadni - AYCL-153P
- LUTRON: Diva - DVCL-153-P
- LUTRON: Maestro - MACL-153M
- LUTRON: Maestro - MA-PRO
- LUTRON: Nova T* CL - NTCL 250
- LUTRON: Radio RA2 - RRD-PRO
- LUTRON: CTRP-253P
- LUTRON: DVRP-253P
- LUTRON: LECL-153PH
- LUTRON: MSCL-OP153M
- LUTRON: NTRP-250
- LUTRON: RCL-153PNL
- LEVITON: Decora - DSE06-10Z
- LEVITON: Sureslide - 6674-P
- LEVITON: Decora Smart - DW6HD-1BZ
- LEVITON: Illumitech - IPE04-1LZ
- LEVITON: Illumitech - IPE06-1LZ
- LEVITON: 6674
- LEVITON: DDMX1
- LEVITON: DSL06-1LZ
- LEGRAND: RH703PTUTC
- LEGRAND: RHCL450PTC
- COOPER: DUL06P-C2
- COOPER: RF9640-ND
- COOPER: SAL06P
- COOPER: SUF7
- COOPER: VSUL06D

ADDITIONAL ACCESSORIES

| | |
|----------------------|---|
| DI-SABER-ECONN-WH | SABER LED Under Cabinet Light End-to-End Connector, White |
| DI-SABER-HWSPL-72-WH | SABER LED Under Cabinet Light Hardwired Splice Connector, White, 72 in. |
| DI-SABER-ACPWR-72-WH | SABER LED Under Cabinet Light AC Power Plug, White, 72 in. |
| DI-SABER-HW-JBOX | SABER LED Under Cabinet Light Junction Box, White |
| DI-SABER-EXT-12-WH | SABER LED Under Cabinet Light Jumper Cable, 12 in., White |
| DI-SABER-EXT-24-WH | SABER LED Under Cabinet Light Jumper Cable, 24 in., White |

- Lumen value measured in accordance to IES LM-80-08. LED chips have a luminous flux range with a tolerance of +/- 5%.
- Each maximum run requires a dedicated power feed from the driver. Do not extend beyond the recommended maximum run length. Max run may exceed Class 2 limit. Actual wattage may differ from calculated wattage due to voltage drop across run.
- Do not install product in an environment outside the listed ambient temperature. Exceeding the maximum ambient temperature may damage LED chips, reduce the total lamp life, lumen output, and/or adversely impact color consistency.
- Actual efficacy value is dependent to specified LED driver (power supply). An estimated efficacy value can be calculated as follows: Lumen value divided by average power consumption per foot.
- Operating temperature is measured according to the minimum and maximum ambient temperature environment.

SABER™ 120V

LED Under Cabinet Light

Easy-to-install 120V fixtures for under cabinet and task lighting.
Field switchable between five built-in CCT options.

Date _____

Project Notes _____

CERTIFICATIONS

Safety

- ETL Listed Hard-Wired Luminaire (United States & Canada). Conforms to UL std. 1598, Luminaires. Certified to CSA std. C22.2 No. 9.0
- Approved for storage areas of clothes closets per NEC 410.16.A.3 and 410.16.C.5

Performance

- Can be used to comply with TITLE 24 Part 6 High efficacy LED requirements - JA8-2016-E
- LED chip data measured in accordance to IES LM-80-08.
- Photometric & Colorimetry data measured in accordance to IES LM-79-08, in Elemental LED's Innovation Lab.

Safety / Warnings / Disclosures

1. Install in accordance with national and local electrical code regulations.
2. This product is intended to be installed and serviced by a qualified, licensed electrician.
3. Only use copper wiring. Use wires rated for at least 176°F (80°C) and certified for use with external connection of electrical equipment.
4. Each maximum run requires a dedicated power feed from the driver. Do not extend beyond the recommended maximum run length.
5. Tape light, attached wire leads, and additional extension cables, connectors, etc., are not rated for in-wall installation unless otherwise noted. Tape light and attached wire leads are field-cuttable.
6. Ensure applicable wire is installed between driver, fixture, and any controls in-between. When choosing wire, factor in voltage drop, amperage rating, and type (in-wall rated, wet location rated, etc.). Inadequate wire installation could overheat wires, and cause fire.
7. Do not install in environment where LED chips are exposed to direct sunlight as damage to the phosphor will occur.
8. Do not install in environment where excessive heat may exist (ex. close proximity to fireplace, etc.) See Ambient Temperature ratings
9. Do not install indoor LED tape light products in outdoor / wet location environments. Only wet location tape light models are rated for outdoor / wet locations.
10. Do not modify product beyond instructions or warranty will be void.
11. Tape light must be handled with care. Excessive handling, bending, and pressure may damage the product, voiding the warranty.
12. Actual color may vary from what is pictured on this sheet and other print materials due to the limitations of photographic processes.
13. We reserve the right to modify and improve the design of our fixtures without prior notice. We cannot guarantee to match existing installed fixtures for subsequent orders or replacements in regards to product appearance, CCT, or lumen output.

WARRANTY

Limited Warranty

- 5 Years

This warranty does not include the additional accessories referenced in this specification sheet. Complete warranty details for fixtures and additional accessories are available at www.diodeled.com/limited-warranty/ within the Policies section. For warranty related questions please contact product support.

Consumer's Acknowledgment

Elemental LED, Inc. stands behind its products when they are used properly and according to our specifications. By purchasing our products, the purchaser agrees and acknowledges that lighting design, configuration and installation is a complex process, wherein seemingly minor factors or changes in layout and infield adjustments can have a significant impact on an entire system. Choosing the correct components is essential. Elemental LED is able to work with the original purchaser to make an appropriate product selection to the extent of the limited information that the customer can provide, but it is virtually impossible for Elemental LED to design a system that foresees every unknown factor. For this reason, this Warranty does not cover problems caused by improper design, configuration or installation issues. Any statement from a Elemental LED employee or agent regarding a customer's bill of goods and/or purchase order is NOT an acknowledgment that the products purchased are designed and configured correctly. The purchase agrees and acknowledges that it is the customer's responsibility to adhere strictly to all information contained in the Product Specification Sheets.

There is often more than one way to design, configure and layout an LED lighting application properly to achieve the same lighting effect. Elemental LED strongly recommends that licensed professionals be used in the design and installation of lighting systems that include Elemental LED products. The specifications include important information that a designer and installer should carefully review and strictly follow. Qualified designers and certified and/or licensed installers, with access to the final installation environment, customer goals, and Elemental LED product specifications can make the requisite decisions appropriate for a successful finished lighting application.