

DATE

PROJECT NOTES

Graze fixture with precise narrow optics.
Graze effectively in a small form factor.

- Crisp optical performance with 10 degree beam spread
- 300 to 800 lumen output, from 2400K - 6300K
- Built to length in 1" increments, daisy-chain capable for long runs
- Rotating aiming bracket (optional)
- Pair with any Diode LED driver
- CRI, hue & gamut matched to X-Range tape light
- 12 year warranty



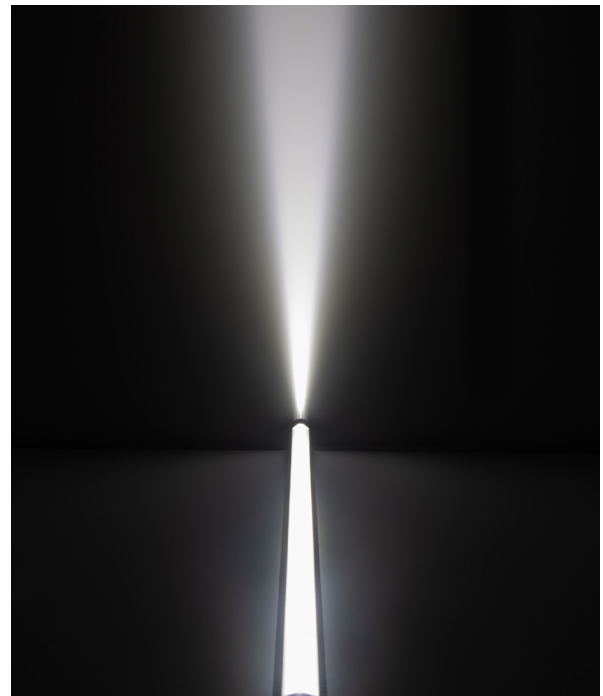
*Shown here with aiming bracket

Diode LED	Voltage	Lumen Output	CCT	Length	Fixture Type	Mount	Color	Drivers	
DI	-	-	-	-	-	-	-		
	24V	300 500 800	2400K 2700K 3000K 3500K 4200K 5000K 6300K	XX-Custom Length	GRZX10	Mounting Clip (MC) Aiming Bracket (AIM)	AL BLK WH	Magnetic (Mag) Lutron (LUT) Electronic (ELV) 0-10V (010)	Non-Dimming (ND) Switchex (SWX)

Example: DI-24V-300-2700K-11.3125I-GRZX-OP10-MC-WH-ELV

Warranty	12 year warranty		
Lumen Output	300	500	800
Wattage	2.8W/ft.	4.6W/ft.	7.2W/ft.
Foot Candles			
1 Foot*	283	580	804
5 Feet*	11	23	32
10 Feet*	3	6	8
Optic Type	True 10 degree full angle graze		
Dimensions	0.87 x 0.8 in. (W x H)		
Channel Profile	Square		
Environment¹	Indoor / Damp Location		
Certification	UL Listed 2108		

* Foot candles listed at 3000K, see IES file for actual foot candles for specific CCTs



GRAZE X™ 10 DEGREE OPTIC FIXTURE

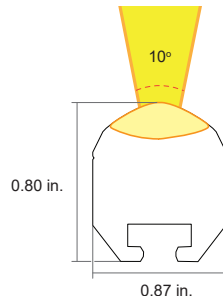
SPECIFICATION SHEET



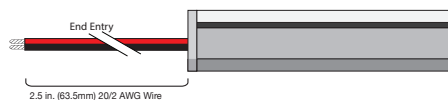
24V DRIVERS

SKU	WATTAGE	LENGTH	WIDTH	HEIGHT
OMNIDRIVE® 2 ELECTRONIC DIMMABLE LED DRIVER Highly compatible, No minimum load, Dims to 5%, Integrated Junction Box				
DI-OD2-24V24W	24W	13.75 in.	3.00in.	1.60 in.
DI-OD2-24V60W	60W	13.75 in.	3.00in.	1.60 in.
DI-OD2-24V96W	96W	15.00 in.	3.10in.	2.40 in.
DI-OD2-24V120W	120W	15.00 in.	3.10in.	2.40 in.
DI-OD2-24V200W	200W	16.10 in.	3.40in.	2.40 in.
LO-PRO® JUNCTION BOX & DRIVER COMBO 24V Commercial grade 0-10V LED Dimmable Driver - Dims to 10%				
DI-DM-MW-24V60W-0-10V-LPS	60W	11.25 in.	3.75in.	1.90 in.
DI-DM-MW-24V90W-0-10V-LPL	90W	13.5 in.	4.5in.	2.37 in.
OMNIDRIVE® BASICS ELECTRONIC DIMMABLE DRIVER				
DI-ODBELV-24V60W	60W	4.2 in.	1.75in.	0.96 in.
SWITCHEX In wall, Dimmer/Driver in one. Dims to 5%				
DI-24V-SE-40W	40W	Fits in Standard Switch Box		
DI-24V-SE-60W	60W	Fits in Standard Switch Box		
OMNIDRIVE® 24V Electronic Dimmable LED Driver				
DI-TD-24V-10W	10W	5.5 in.	1.8in.	1.1 in.
DI-TD-24V-20W	20W	5.5 in.	1.8in.	1.1 in.
DI-TD-24V-30W	30W	7 in.	2.3in.	1.4 in.
DI-TD-24V-45W	45W	7 in.	2.3in.	1.4 in.
DI-TD-24V-60W	60W	7.9 in.	2.7in.	1.8 in.
DI-TD-24V-80W	80W	7.9 in.	2.7in.	1.8 in.
DI-TD-24V-96W	96W	7.9 in.	2.7in.	1.8 in.
VLM SERIES CONSTANT VOLTAGE NON-DIMMING DRIVER On/Off, DMX				
VLM60W-24	60W	5.1 in.	.75in.	.77 in.
VLM100W-24	100W	5.38 in.	1in.	.77 in.
VLM60W-24-LPM	60W	8.19 in.	2.94in.	1.31 in.
VLM100W-24-LPM	100W	8.19 in.	2.94in.	1.31 in.
VLM100W-24-LPS3R	100W	6.3 in.	10.79in.	2.17 in.
VLM200W-24-LPL	200W	13.5 in.	4.50in.	2.38 in.
MIKRODIM™ ELECTRONIC DIMMABLE DRIVER Small form factor for tight spaces				
DI-MKD-24V60W	60W	3.05 in.	1.36in.	1.03 in.
DI-MKD60W-24-LPMKD	60W	4.34 in.	4.25in.	1.48 in.
LUTRON Hi-lume 1% LED DIMMABLE DRIVER				
DI-DM-24V40W-L3D	40W	4.89 in.	4.00in.	2.62 in.
DI-DM-24V40W-LTE	40W	4.89 in.	4.00in.	2.62 in.
LUTRON Hi-lume Premier 0.1% LED DIMMABLE DRIVER				
DI-DM-24V96W-L3D	96W	5.50 in.	2.20in.	10.50 in.
LO-PRO® JUNCTION BOX & DRIVER COMBO 24V Non-dimming LED Driver				
DI-0970-LPS	35W	11.25 in.	3.75in.	1.90 in.
DI-CV-MW24V60W-277-LPS	60W	11.25 in.	3.75in.	1.90 in.
DI-CV-MW24V90W-277-LPS	90W	11.25 in.	3.75in.	1.90 in.
DI-0954-LPL	96W	13.5 in.	4.5in.	2.37 in.

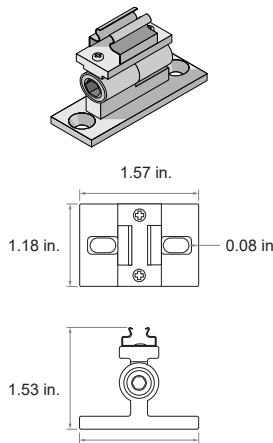
MECHANICAL DIAGRAMS



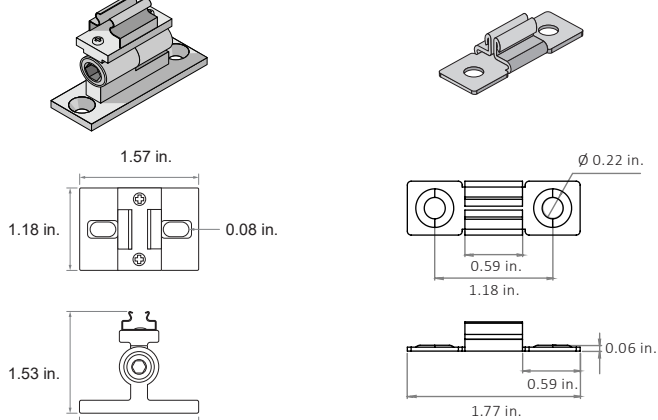
WIRE ENTRY



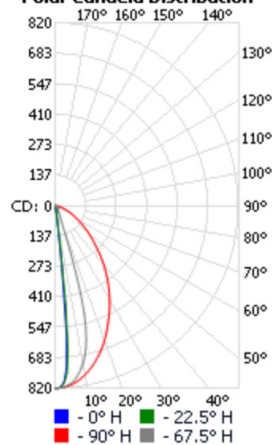
AIMING BRACKET



STANDARD MOUNTING CLIP



Polar Candela Distribution



GRAZE X™ 10 DEGREE OPTIC FIXTURE

SPECIFICATION SHEET

COMPLIANCE & REGULATORY APPROVALS

- Meets the following certifications when installed with compatible UL Listed tape light: UL Listed 2108, UL 1598 / CSA 250.0-08, UL 8750, UL 879 / CAN/CSA-C22.2 no. 207-M89, E469769 (UL Listed), E469770 (SAME Manual).

ADDITIONAL INFORMATION

- GRAZE X Installation Guide

SAFETY / WARNINGS / DISCLOSURES

1. Install in accordance with national and local electrical code regulations.
2. This product is intended to be installed and serviced by a qualified, licensed electrician.
3. Only install with a Class 2 DC Constant Voltage LED driver.
4. Only use copper wiring. Use wires rated for at least 176°F (80°C) and certified for use with external connection of electrical equipment.
5. Each maximum run requires a dedicated power feed from the driver. Do not extend beyond the recommended maximum run length.
6. Tape light, attached wire leads, and additional extension cables, connectors, etc., are not rated for in-wall installation unless otherwise noted. Tape light and attached wire leads are field-cutttable.
7. Ensure applicable wire is installed between driver, fixture, and any controls in-between. When choosing wire, factor in voltage drop, amperage rating, and type (in-wall rated, wet location rated, etc.). Inadequate wire installation could overheat wires, and cause fire.
8. Do not install in environment where LED chips are exposed to direct sunlight as damage to the phosphor will occur.
9. Do not install in environment where excessive heat may exist (ex. close proximity to fireplace, etc.) See Ambient Temperature ratings
10. Do not install indoor LED tape light products in outdoor / wet location environments. Only wet location tape light models are rated for outdoor / wet locations.
11. Do not modify product beyond instructions or warranty will be void.
12. Tape light must be handled with care. Excessive handling, bending, and pressure may damage the product, voiding the warranty.
13. Actual color may vary from what is pictured on this sheet and other print materials due to the limitations of photographic processes.
14. We reserve the right to modify and improve the design of our fixtures without prior notice. We cannot guarantee to match existing installed fixtures for subsequent orders or replacements in regards to product appearance, CCT, or lumen output.

WARRANTY

Limited Warranty

This product has a twelve (12) year limited warranty from the date of shipment. This warranty does not include the additional accessories referenced in this specification sheet. Complete warranty details for fixtures and additional accessories are available at www.diodeled.com/limited-warranty/ within the Policies section. For warranty related questions please contact product support.

Consumer's Acknowledgment

Elemental LED, Inc. stands behind its products when they are used properly and according to our specifications. By purchasing our products, the purchaser agrees and acknowledges that lighting design, configuration and installation is a complex process, wherein seemingly minor factors or changes in layout and infield adjustments can have a significant impact on an entire system. Choosing the correct components is essential. Elemental LED is able to work with the original purchaser to make an appropriate product selection to the extent of the limited information that the customer can provide, but it is virtually impossible for Elemental LED to design a system that foresees every unknown factor. For this reason, this Warranty does not cover problems caused by improper design, configuration or installation issues. Any statement from a Elemental LED employee or agent regarding a customer's bill of goods and/or purchase order is NOT an acknowledgment that the products purchased are designed and configured correctly. The purchase agrees and acknowledges that it is the customer's responsibility to adhere strictly to all information contained in the Product Specification Sheets.

There is often more than one way to design, configure and layout an LED lighting application properly to achieve the same lighting effect. Elemental LED strongly recommends that licensed professionals be used in the design and installation of lighting systems that include Elemental LED products. The specifications include important information that a designer and installer should carefully review and strictly follow. Qualified designers and certified and/or licensed installers, with access to the final installation environment, customer goals, and Elemental LED product specifications can make the requisite decisions appropriate for a successful finished lighting application.

