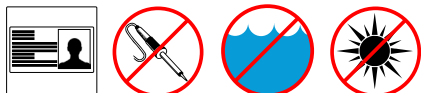


SAFETY & WARNINGS


READ AND FOLLOW ALL SAFETY INSTRUCTIONS

1. Install in accordance with national and local electrical code regulations.
2. This product is intended to be installed and serviced by a qualified, licensed electrician.
3. Do not modify or disassemble this product beyond instructions or the warranty will be void.
4. Do not use if there is any damage to the fixture or wiring. Inspect periodically.
5. Do not install near areas with exposure to salt water or chlorinated water.
6. Do not attempt to fix this product in the field.
7. Failure to follow safety warnings, and installation instructions will void the warranty for this product.

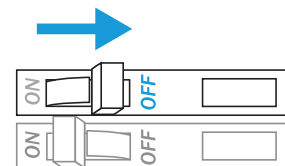


INSTALLATION

1 TURN POWER OFF AT CIRCUIT BREAKER



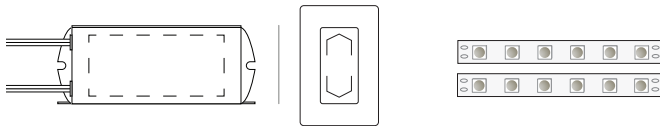
SHOCK HAZARD! May result in serious injury or death.
Turn power OFF at circuit breaker prior to installation.



INSTALLATION (CONT.)

2) DETERMINE LOCATION TO INSTALL COMPONENTS

Refer to **SYSTEM DIAGRAMS**.



1) Class 2 Driver 2) Control 3) Tape Light

WIRE GAUGE & VOLTAGE DROP

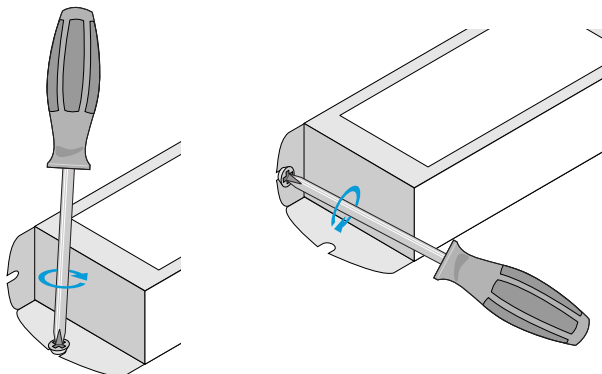
Ensure applicable wire is installed between driver, fixture, and any controls in between. When choosing wire, factor in voltage drop, amperage rating, and type (in-wall rated, wet location rated, etc.)

3) MOUNT DRIVER

Mount with 2x screws or appropriate hardware (not-included). Driver may be mounted in any orientation.

Base Plate

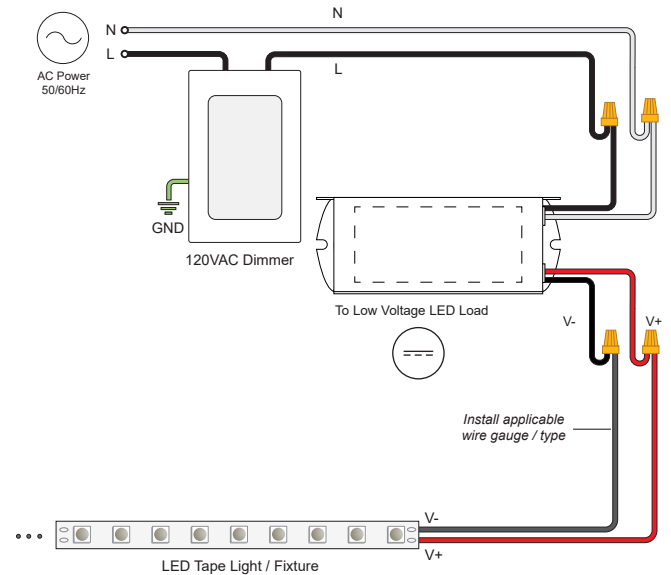
Side Plate



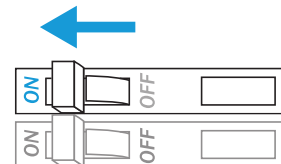
4) ATTACH LOAD AND CONTROL

Only use copper wiring. Ensure to ground driver and enclosure according to NEC or local codes. Refer to System Diagram below, and dimming control installation guides.

System Diagram



5) TURN POWER ON AT CIRCUIT BREAKER



SYSTEM WORKING IMPROPERLY?

Turn power OFF at circuit breaker and verify all connections. Review **SYSTEM DIAGRAMS** and **TROUBLESHOOTING** or call Diode LED Technical Support at 877.817.6028.