



Item # _____

Project _____



	ST40-37L-2X2	ST40-47L-2X2	ST40-53L-2X4	ST40-38L-1X4
Voltage	120V-277VAC			
Wattage	35w	40w	45w	30w
Lumens	3700	4781	5336	3800
Efficacy	105 lm/w	119 lm/w	118 lm/w	126 lm/w
Dimensions	24" x 24" x .36" (L x W x H)	24" x 24" x .36" (L x W x H)	24" x 48" x .36" (L x W x H)	12" x 48" x .36" (L x W x H)
Color Temperature	4000K			
CRI	80+			
Dimmability	0-10V			
Environment*	Dry / Indoor / IP20			
Certification	UL Listed			
Warranty	5-Year Warranty			

*WARNING: NOT FOR USE IN SUBMERSIBLE APPLICATIONS

SKU Builder

DI

-

ST40

-

Model & Color Temp

Lumens & Dimensions

37L-2X2
47L-2X2
53L-2X4
38L-1X4

Example: DI-ST40-47L-2X2 = Diode, 120 Volt, EMERY[®] STRATUS, 4,000° CCT, 4781 Lumens, 24" width x 24" length.

EMERY™ STRATUS LED Panel Light

SPECIFICATION SHEET

SPECIFICATIONS

- Input: 120V-277VAC
- Luminous Efficacy (lm/w): 105 - 126
- Mounting: Bracket Arms
- Connections: Hard-Wired
- Ambient Temp¹: -4 - 122°F (-20 ~ 50°C)
- Operating Temp²: -4 - 176°F (-20 ~ 80°C)

COMPLIANCE & REGULATORY APPROVALS

Safety

- UL 1598, CAN/CSA-C22.2 No. 250.0
- Certified for use in the United States and Canada.

Performance

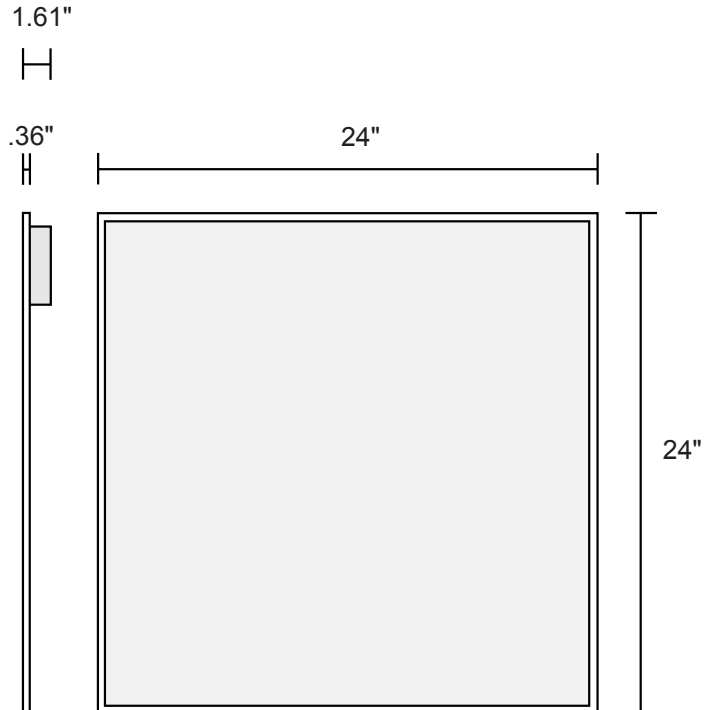
- Photometric & Colorimetry data measured in accordance to IES LM-79-08, in Elemental LED's Innovation Lab.

MECHANICAL DIAGRAMS

EMERY™ STRATUS LED Panel Light

DI-ST40-37L-2X2

DI-ST40-47L-2X2



1. Do not install product in an environment outside the listed ambient temperature. Exceeding the maximum ambient temperature may damage LED chips, reduce the total lamp life, lumen output, and/or adversely impact color consistency.
2. Operating temperature is measured according to the minimum and maximum ambient temperature environment.

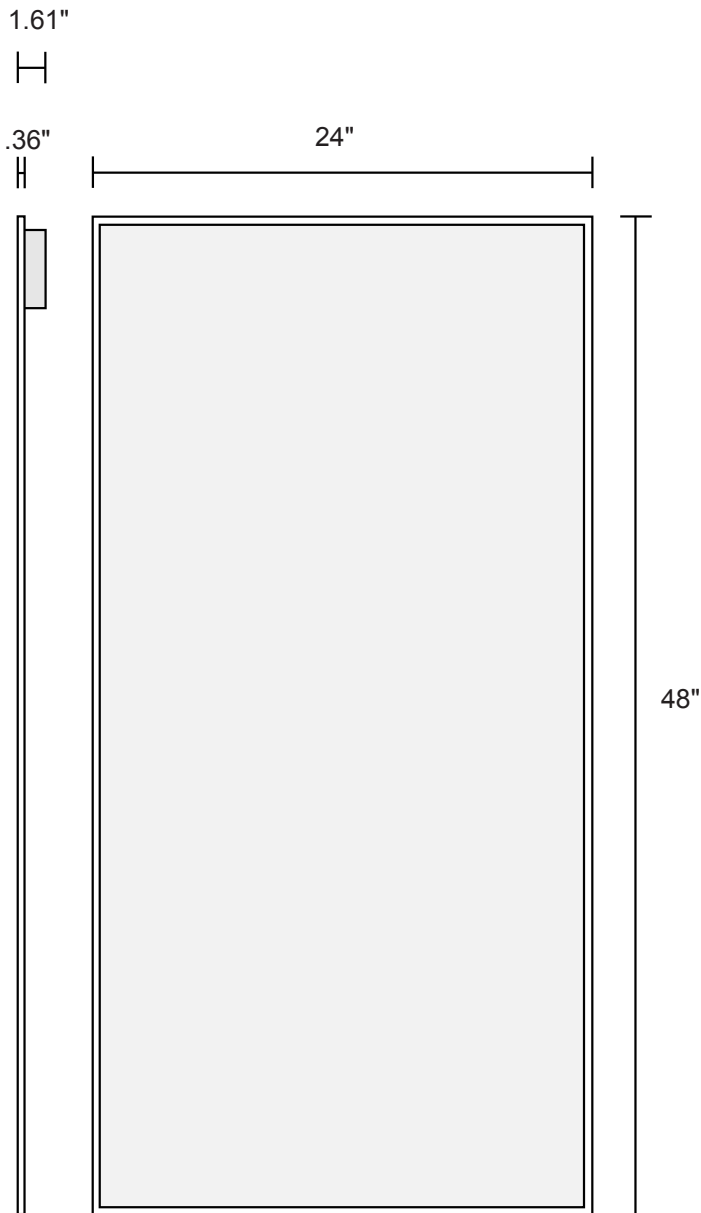
EMERY™ STRATUS LED Panel Light

SPECIFICATION SHEET

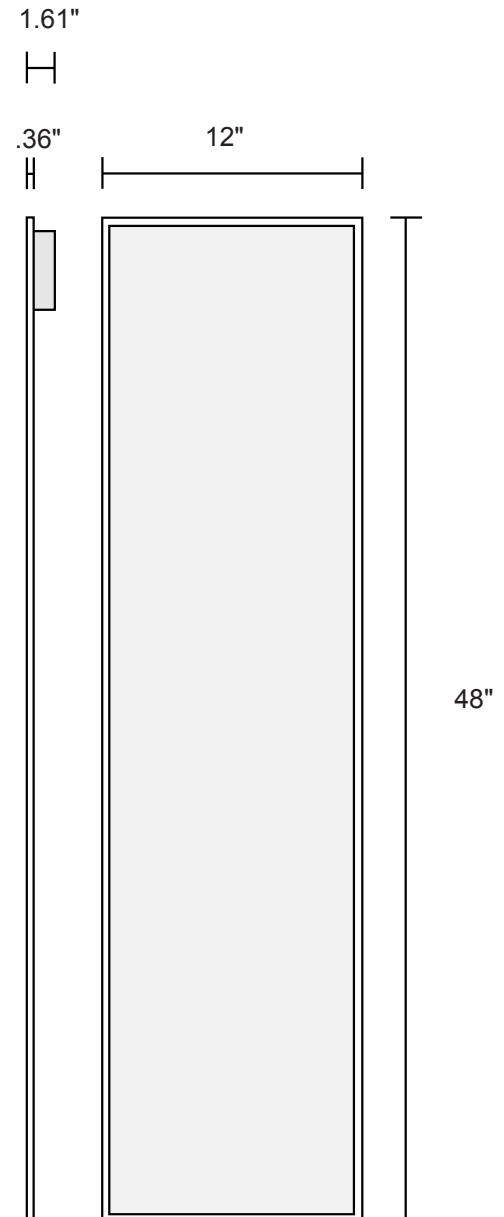
MECHANICAL DIAGRAMS (CONT.)

EMERY™ STRATUS LED Panel Light

DI-ST40-53L-2X4



DI-ST40-38L-1X4



EMERY™ STRATUS LED Panel Light

SPECIFICATION SHEET

ADDITIONAL INFORMATION

- EMERY™ STRATUS LED Panel Light Installation Guide

SAFETY / WARNINGS / DISCLOSURES

1. Install in accordance with national and local electrical code regulations.
2. This product is intended to be installed and serviced by a qualified, licensed electrician.
3. Not for use in or on walls of pools, fountains, or other partially or fully submersed locations.
4. Do not modify or disassemble product beyond instructions or this warranty will be void.
5. Actual color may vary from what is pictured above and on other print materials due to the limitations of photographic processes.
6. We reserve the right to modify and improve the design of our fixtures without prior notice. We cannot guarantee to match existing installed fixtures for subsequent orders or replacements in regards to product appearance, CCT, or lumen output.

WARRANTY

Limited Warranty

This product has a five (5) year limited warranty from the date of shipment. This warranty does not include the additional accessories referenced in this specification sheet. Complete warranty details for fixtures and additional accessories are available at www.diodeled.com/limited-warranty/ within the Policies section. For warranty related questions please contact product support.

Consumer's Acknowledgment

Elemental LED, Inc. stands behind its products when they are used properly and according to our specifications. By purchasing our products, the purchaser agrees and acknowledges that lighting design, configuration and installation is a complex process, wherein seemingly minor factors or changes in layout and infield adjustments can have a significant impact on an entire system. Choosing the correct components is essential. Elemental LED is able to work with the original purchaser to make an appropriate product selection to the extent of the limited information that the customer can provide, but it is virtually impossible for Elemental LED to design a system that foresees every unknown factor. For this reason, this Warranty does not cover problems caused by improper design, configuration or installation issues. Any statement from an Elemental LED employee or agent regarding a customer's bill of goods and/or purchase order is NOT an acknowledgment that the products purchased are designed and configured correctly. The purchaser agrees and acknowledges that it is the customer's responsibility to adhere strictly to all information contained in the Product Specification Sheets.

There is often more than one way to design, configure and layout an LED lighting application properly to achieve the same lighting effect. Elemental LED strongly recommends that licensed professionals be used in the design and installation of lighting systems that include Elemental LED products. The specifications include important information that a designer and installer should carefully review and strictly follow. Qualified designers and certified and/or licensed installers, with access to the final installation environment, customer goals, and Elemental LED product specifications can make the requisite decisions appropriate for a successful finished lighting application.



© 2017 Elemental LED, Inc. All rights reserved.
Specifications are subject to change without notice.

Toll Free: 877.817.6028 | Fax: 415.592.1596 | www.DiodeLED.com | info@DiodeLED.com

SPEC SHEET | EMERY™ STRATUS LED Panel Light | SS032818-1.0 | 4 OF 4