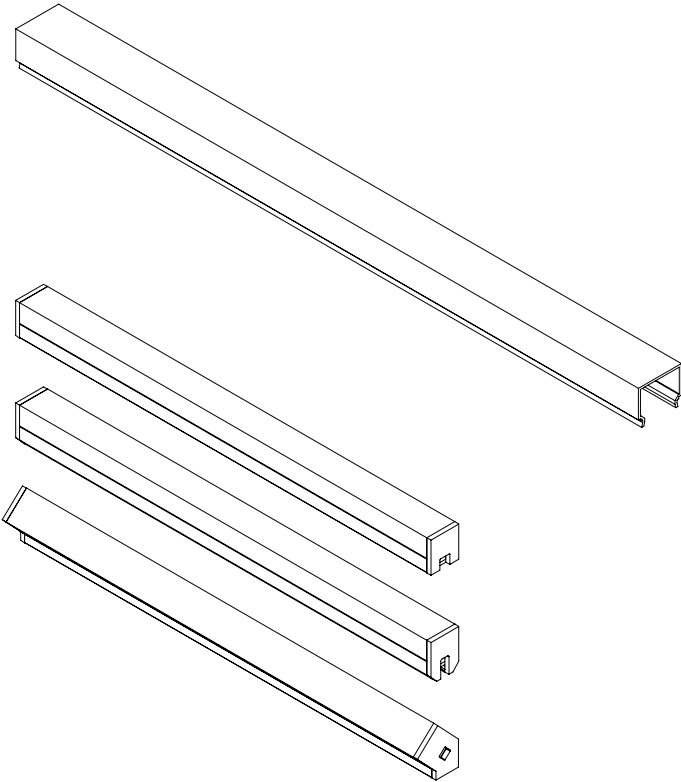




CHROMAPATH® PREMIUM DIFFUSION SQUARE COVER

SPECIFICATION SHEET



OVERVIEW

The premium diffusion cover was designed to eliminate hot spots from the LED chips and creates an even light output on high-gloss finishes like glass, mirrors, and granite—while using our most popular tape light and channels. This combination allows you to create a fully customized fixture with even light distribution. Now—you can choose your CRI, Lumen Output, Color Temperature and then get it all with a Premium Diffusion lens, creating true ambiance for your environment.

FEATURES & BENEFITS

- Elegant square cover design creates a modern, finished fixture
- Protects tape light from dust and debris
- Provides a superior level of even light diffusion
- Eliminates hot spots
- Easy snap-in installation
- Available in custom lengths and as fully loaded LED fixtures through our custom programs
- 3-Year Warranty

COMPATIBLE CHROMAPATH CHANNELS

Premium Diffusion Square Covers are compatible with following aluminum channels:

- CHROMAPATH® SLIM
- CHROMAPATH® SQUARE
- CHROMAPATH® 45 DEG

COMPATIBLE LED TAPE LIGHTS

Premium Diffusion Square Lens is compatible with the following LED tape lights*:

- AVENUE 24™
- BLAZE™
- DAZZLE 24® RGB
- DOUBLE BLAZE™
- FLUID VIEW®
- K-RANGE 24®
- ULTRA BLAZE™
- VALENT® HD

* Compatibility is based on physical width of tape light orientation of LED chip or density.

Item #	
Project	

SPECIFICATIONS

Compliance & Regulatory Approvals

- Meets the following certifications when installed with compatible UL Listed tape light:

UL Listed 2108. UL 1598 / CSA 250.0-08, UL 8750. UL 879 / CAN/CSA-C22.2 no. 207-M89. E469769 (UL Listed), E469770 (SAMS Manual). Suitable for installation in a clothes closet.

Component Materials

- Cover: Polycarbonate
- End Caps: PVC

Environmental Requirements

- Suitable for indoor / dry location installation only.

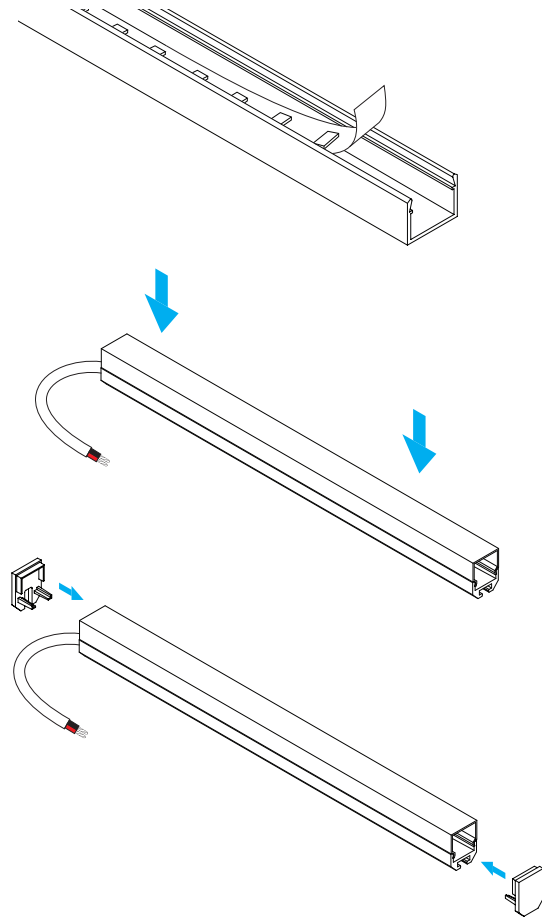
CHROMAPATH PREMIUM DIFFUSION COVERS

Item #	Channel Length
DI-CPCHC-PD-48	48 in.
DI-CPCHC-PD-96	96 in.

CHROMAPATH PREMIUM DIFFUSION END CAPS

Item #	Type	Qty
DI-1646-10	SLIM End Cap	10 (5 open, 5 closed)
DI-1640-10	SQUARE End Cap	10 (5 open, 5 closed)
DI-1642-5	45 DEG End Cap	20 (5 left open, 5 left closed, 5 right open, 5 right closed)

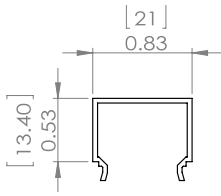
ASSEMBLY



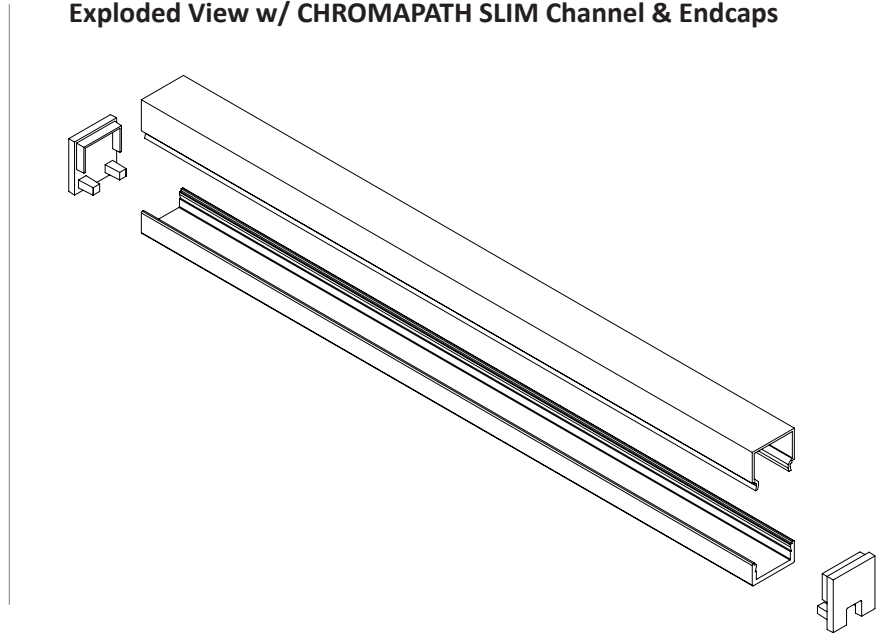
MECHANICAL DIAGRAMS

Dimensions are in [millimeters] and inches.

Premium Diffusion Lens - Side View

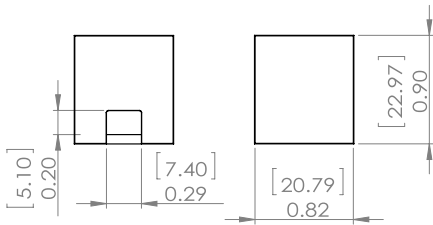


Exploded View w/ CHROMAPATH SLIM Channel & Endcaps

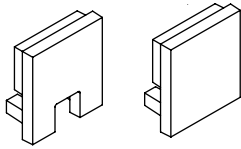


Premium Diffusion End Caps

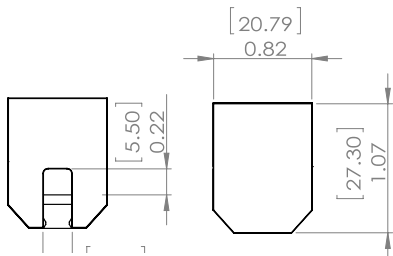
SLIM - Side View



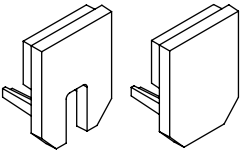
Isometric View



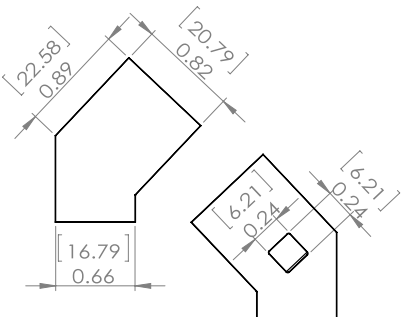
SQUARE - Side View



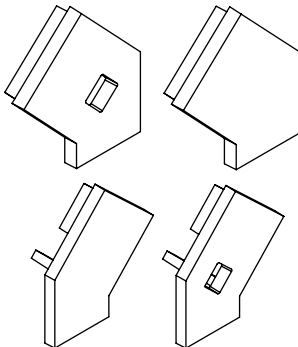
Isometric View



45 DEG - Side View



Isometric View



ADDITIONAL RESOURCES

CHROMAPATH ALUMINUM CHANNEL INSTALL GUIDE

SAFETY / WARNINGS / DISCLOSURES

1. Install in accordance with national and local electrical code regulations.
2. This product is intended to be installed by an experienced contractor or electrician.
3. For indoor and dry use only. Do not install outdoors or in wet locations.
4. Do not modify product beyond instructions or warranty will be void.

WARRANTY

Limited Warranty

This product has a three (3) year limited warranty from the date of shipment. This warranty does not include the additional accessories referenced in this specification sheet. Complete warranty details for fixtures and additional accessories are available at www.DiodeLED.com under the 'Tools & Resources' tab. For warranty related questions please contact product support.

Consumer's Acknowledgment

Diode LED stands behind its products when they are used properly and according to our specifications. By purchasing our products, the purchaser agrees and acknowledges that lighting design, configuration and installation is a complex process, wherein seemingly minor factors or changes in layout and infield adjustments can have a significant impact on an entire system. Choosing the correct components is essential. Diode LED is able to work with the original purchaser to make an appropriate product selection to the extent of the limited information that the customer can provide, but it is virtually impossible for Diode LED to design a system that foresees every unknown factor. For this reason, this Warranty does not cover problems caused by improper design, configuration or installation issues. Any statement from a Diode LED employee or agent regarding a customer's bill of goods and/or purchase order is NOT an acknowledgment that the products purchased are designed and configured correctly. The purchase agrees and acknowledges that it is the customer's responsibility to adhere strictly to all information contained in the Product Specification Sheets.

There is often more than one way to design, configure and layout an LED lighting application properly to achieve the same lighting effect. Diode LED strongly recommends that licensed professionals be used in the design and installation of lighting systems that include Diode LED products. The specifications include important information that a designer and installer should carefully review and strictly follow. Qualified designers and certified and/or licensed installers, with access to the final installation environment, customer goals, and Diode LED product specifications can make the requisite decisions appropriate for a successful finished lighting application.



© 2015 Elemental LED Inc. All rights reserved.
Specifications are subject to change without notice.

Toll Free: 877.817.6028 | Fax: 415.592.1596 | www.DiodeLED.com | info@DiodeLED.com