



## Color-Changing Round LED Wall Wash

EL-TP20WRGBA

Weight: 6.61 pounds  
 Diameter: 6.69 inches  
 Height: 7.12 inches  
 Max. daisy-chain: 20 washers / 660W  
 Current Limit: max. 6 Amps  
 Rotary Angle: 150°  
 Projection Distance: 66 ft / 20m  
 Signal: DMX / XLR-3  
 Lifetime: 50,000 hours

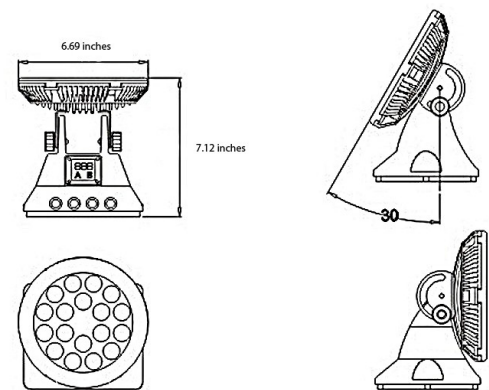


Check out this Round Color-Changing LED Wall Wash. It's a multi-color LED spotlight that's so light nearly anyone can lift and move it. Fabulous color-changing lights can come in small packages. Need proof? Each Round RGB Wall Washer weighs just over 6 pounds and is less than 8 inches tall. This LED wall light will make any party or event a colorful and dynamic affair. Use it to decorate indoor and outdoor settings. It's a brilliant, theatrical tool for lighting clubs, theaters, stages, and auditoriums, and for highlighting buildings, gardens, restaurants and more. Forget bulky spotlight contraptions. Whether it's an innovative, spectacular architectural accent lighting you crave or a simple, subtle approach to background wall color, this full color spotlight is spectacular.

You can operate an LED wall washer in one of three ways: stand-alone on an internal setting, in DMX mode and as part of a daisy chain. Setting it internally does not require an external controller and can generate spectacular, color-changing effects. They include flashing, fading, static colors and seven colors changing in sync. In DMX mode, an external controller is required. The number of effects possible, however, grows exponentially and is in the thousands. To create a daisy chain, link several washers to one another for a series of special effects. 20 Round Wall Washers total can be daisy-chained together! One washer contains 18 energy-efficient high power LED bulbs at just 1 watt each. It projects 66 feet but consumes less energy than a 40-watt light bulb. Aided by an efficient cooling system, it can last for 50,000 hours. Just plug it in and let the high-tech, low-maintenance magic begin. Impress you will.

When you purchase this RGB LED wall light, you also get a power cable, as well as cables that make it compatible with a DMX controller and additional washers, plus a power cable end cap, and rubber sleeves for waterproofing the DMX and power connection points. Each patented washer is made of a sturdy and durable aluminum alloy. At Elemental LED, we care about our planet. All of our products hold the prestigious RoHS, or Restriction of Hazardous Substances, certification. This ensures that no environmentally harmful components were used in the manufacturing process.

This wall washer is also available with a 30° or 45° light beam angle. Call us at 877-564-5051 to place a custom order.



color	input	voltage	lumens	IP	beam angle	LED type	power consumption	# of LEDs
RGB	100V - 256V AC	24V DC	R=480 G=720 B=240	65	45°	high power 1W	34W	18

# Round Color-Changing LED Wall Wash

**EL-TP20WRGBA**

## Instructions for Round Color-Changing LED Wall Wash

This product is mainly used for decorating and highlighting in building frame, garden, etc. It can work in independent mode and DMX mode, which can generate various color changing effects, such as flashing, fading, steady, seven color jumping synchronously etc. DMX256 class gray degree dimmer, DMX programmable (thousands of effects available if many lights being connected together).

### A. Structure and Specification

Size:	D170* H181mm
Material of Shell:	Aluminum alloy
Weight:	3kgs±5%
Rotary angle:	150°
Input Voltage:	100V~256V AC
Operating Voltage:	24V DC
Protection Rating:	IP65
Operating Temperature:	-20℃~40℃



Model NO.	LED Quantity	Color	Input Power Consumption	Beam Angel	Project distance
LWW-6-18P	18 Power LED	R-6, G-6, B-6	23 Watts	15°	20m

\*\*\* 30° & 45° LENS are available!!!

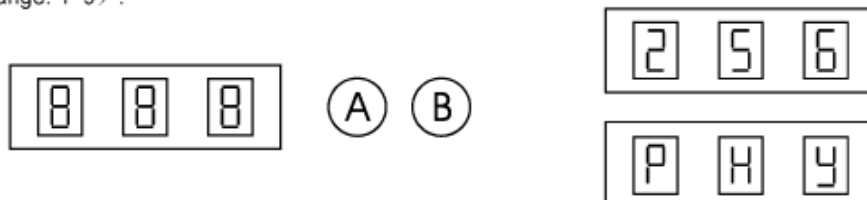
### B. Working Mode:

(1) Independent mode; (2) DMX mode; (3) Master/Slave mode.

### C. Function & Setup

#### C-1 Independent mode

After pressing **A** four times (the first three times is the setup on DMX address) or **B** directly light enter into independent mode; the digital LEDs show **PXY**. press A once. active digital LEDs move backward, you can choose function via **X** and parameter via **Y**; Press **B**. the corresponding flash digital LED increases one bit (range: 1-9).



# Round Color-Changing LED Wall Wash

**EL-TP20WRGBA**

**X** refers to functions (the value between 1 to A),  
**Y** refers to value of speed and gray degree for the functions (the value between 1 to 9)  
 When pressing button, please wait for about 10 sec, then you can exit the mode of adjustment function, the digital LED stop flashing and data recorded.

## Function and parameter sheet:

X value	Y value
1-static red	1~9 class gray degree
2-static green	1~9 class gray degree
3-static yellow	1~9 class gray degree
4-static blue	1~9 class gray degree
5-static purple	1~9 class gray degree
6-static cyan	1~9 class gray degree
7-static white	1~9 class gray degree
8-multicolor changing	1~9 class speed
9-multicolor fading	1~9 class speed
A-multicolor flashing	1~9 class speed

## C-2 DMX mode

### 1. DMX Addressing

When the digital LED is not flashing, press **A**, digital LED begin to flash, press **A** once, active digital LEDs moves backward, you can start to edit the second digital LED; Press **B**, the corresponding flash digital LED increase one bit (the values between 1 to 9);

### 2. DMX Channel instruction-3 Channels available as sheet:

CHANNEL 1		CHANNEL 2		CHANNEL 3	
Data	Function	Data	Function	Data	Function
0~255	Brightness of Red	0~255	Brightness of Green	0~255	Brightness of Blue

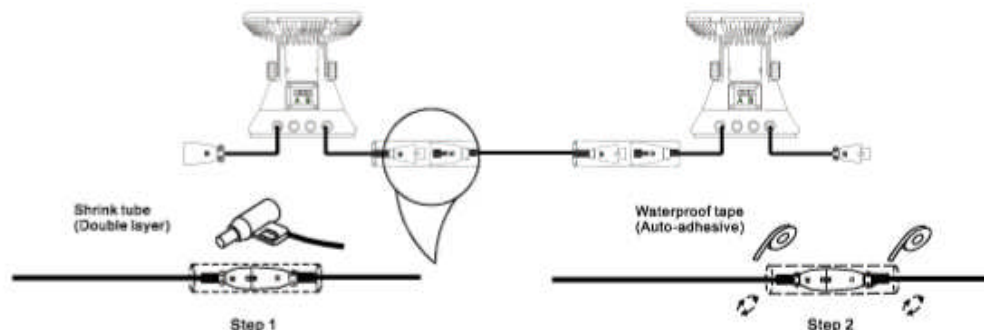
\*\*\*Enter or quit DMX mode automatically once detecting valid signal!!!

## C-3 Master/Slave mode

Choose any one light as the master for attaining auto online function, the operations are as below: firstly, set the address of master as 001, others are set as slave (address can be any one except 001); Change function of the master (001) light, then all lights will work synchronously;

## D. Waterproof treatment

The signal output connector XL-3R and power connectors (maximum 30 fixtures) of each series must be sealed with a 20mm thermal shrinking sleeve, blow and shrink it with a hair driers, thence wrapped with waterproof tape (auto-adhesive, please refer to below instruction for operation) for waterproof purpose.



\*\*\* Power connector in the same way of treatment!!!

### Caution:

1. Do not plug them into power when the product is still in package;
2. Don't use anything to cover the fixture during application;
3. Don't use this product in close environment;
4. If this product appears to be damaged, do not attempt any repair, please contact your dealer.

### Warning:

- \* Neglect on action of the above treatment will lead to failure of waterproof and proper working of the lights!!!
- \* Make sure the ground connection well avoid electric shock, due to metal housing.