



RGB Signal Amplifier

EL-SJRGBAMP

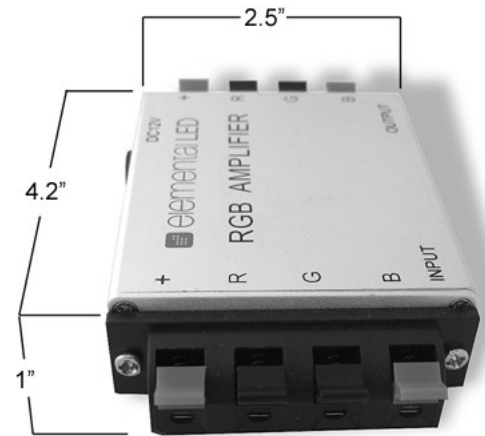
Weight: 4 oz.
 Length: 4.2 in.
 Width: 2.5 in.
 Height: 1 in.
 Device Surface Temp.: 68° - 140° F
 Output: 3 channels



The RGB LED Signal Amplifier is an essential accessory for medium to large color-changing LED Strip Light installations. An RGB color controller can command up to 16.5 feet of RGB strip lights in one continuous run. But if you want to run more than 16.5 feet of strip lights on one RGB signal, you will need an RGB Signal Amplifier. This lightweight accessory can help you furnish an entire restaurant, club, bar, or event space with color-changing LED lighting. And it's water resistant and wet location rated, so it can be used for full color outdoor LED lighting.

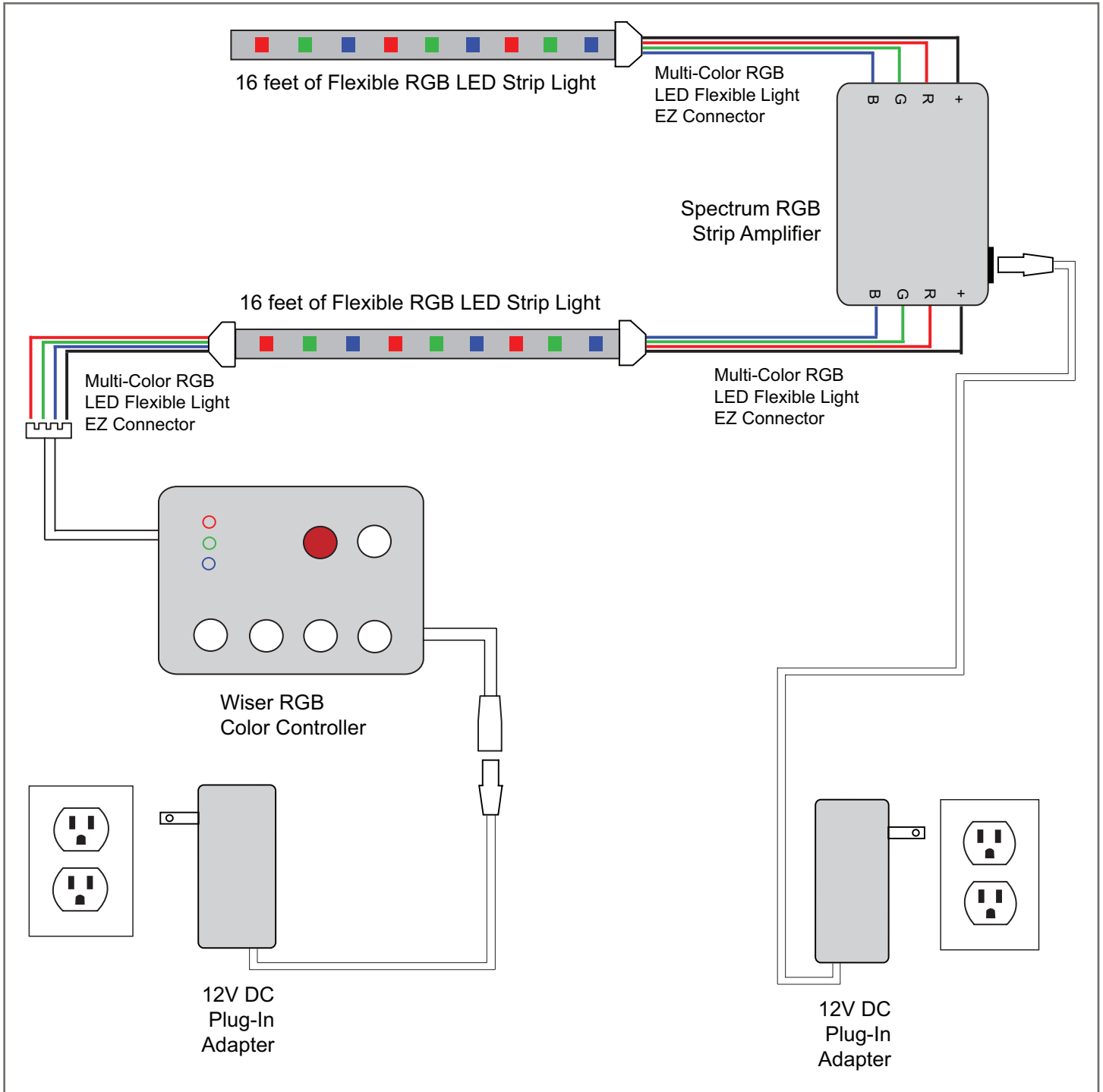
How does it work? The RGB LED amplifier copies and extends the commands of your master LED color controller. Connecting the Strip amplifier to your LED lights is simple: just match the red, green, blue, and black wires of the first section of strip light to the appropriate wires on the terminal block of the Signal Input, match the Signal Output wires on the amplifier to the wires on the second section of strip, then plug the amplifier into a 12V DC Adapter.

This amplifier is an essential tool for lighting large areas or long projects/ spaces, such as a long bar or hallway. In a darkened room, your eyes will be naturally drawn to the multi-color LED lights and, in the right settings, LED lighting can impress as much as a vase of flowers or attractive furnishings. Although the RGB LED amplifier is often used for commercial applications, its compact design makes it just as easy to install in the home. An entire basement or recreation room can be decorated with a single LED light strip installation, thanks to this RGB Strip Amplifier. At only 4 ounces, it's also small and light enough to store nearly anywhere.



output	input voltage	working voltage	power consumption	output current
3 channels	24V DC	<288W	<1W	<4A per channel
3 channels	12V DC	<144W	<1W	<4A per channel

Flexible RGB LED Strip Lights with RGB LED Signal Amplifier to
Wiser Color Controller to 12V Adapter Diagram



Flexible RGB LED Strip Lights with RGB LED Signal Amplifier to Wiser Color Controller to 12V Indoor/Outdoor Driver Diagram

