



Color-Changing LED Light Bar

EL-IMGRGBBAR

Available Lengths: 9 in., 19.75 in.
 Weight: 1.2 oz., 2.4 oz.
 Diameter: 0.46 in.
 LED Spacing (between centers): 1.3 in.
 UV/IR Radiation: none
 Lifespan: 50,000 + hours



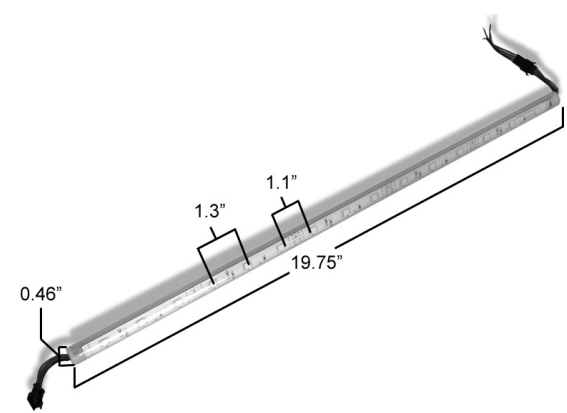
Our Color-Changing LED Light Bar offers a greener solution for a variety of interior full color lighting needs, including bar and club lighting, home theater lighting, color-changing displays, and edge and accent lighting decoration. With a surface-mount RGB LED and wide flood angle, this full color LED light bar is seamlessly bright and adds dynamic color accenting to any lighting situation, whether a special event or permanent installation. With a 50,000-hour lifespan, the RGB LED Fixture works on a carbon diet that results in lower emissions and a \$3 per-watt operating cost if left on for an entire year. This LED light bar is available in 8" and 20" sizes.

Some of the features of this RGB light bar include:

- * Compact size
- * Fully Adjustable Angle of Illumination
- * Uses 4 Channels (red, green, blue, common positive)
- * With an RGB controller, can be set to a single color or multi-color
- * Included mounting hardware

At a low 12 volts, this multi-color LED light bar has no shock danger. It also produces little heat, so you won't have to combat heat with air conditioning or worry about any fire hazards. The color is soft and well mixed, and the bar can be manipulated by a DMX 512 controlling system to provide multi-color jumping and gradual color changes. It can also be controlled by an RGB controller for whole color changing.

Male and female connectors are hard wired to each end of this color-changing LED Fixture, so connecting to a power source and to RGB controllers is easy. And installation is made simple by either using the included mounting clips or double-sided 3M tape (available on the LED Accessories page) on the underside of the bar. This LED light bar has a ROHS certificate and is made with Solid State LED technology.



size	color	voltage	lumens	IP	beam angle	type of LED	power consumption	# of LEDs
9 in.	RGB	12V DC	R=7, G=12, B=4	44	120°	5050 SMD	1.44W / 120mA	6
19.75 in.	RGB	12V DC	R=8, G=32, B=7	44	120°	5050 SMD	3.6W / 300mA	15