



Brighter LED Light Bars

EL-BVBB

Width: 0.6 in.
 LED Spacing (between centers): 1.3 in.
 Cuttable: every 3 LEDs / 4 in.
 Voltage: 12V DC
 Beam Angle: 120°
 IP Rating: 44
 UV/IR Radiation: none
 Fixture Surface Temp.: 68° - 104° F
 Lifespan: 50,000 + hours



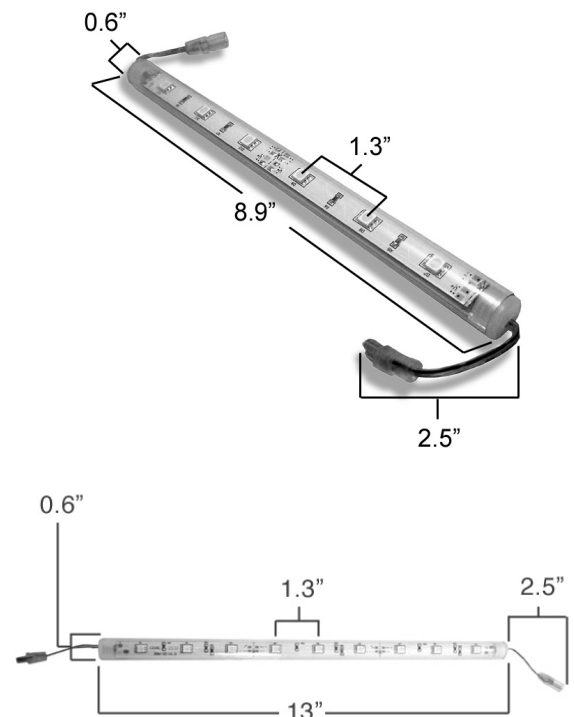
The Brighter LED Light Bar is a super bright LED tube whose energy usage is only 1.44 to 3.6 Watts per fixture. The Brighter Bar contains advanced tri-chip technology, making each LED bulb three times brighter than a standard LED. And its compact size makes it fit into almost any space, while retaining the same adjustability. The included mounting clips allow you to position the bar at just the angle you need. This under cabinet light bar makes an excellent replacement light fixture for a fluorescent tube. Being green has never been this simple!

This super bright LED Light Bar has many indoor uses:

- In businesses such as restaurants, retail stores, bars, lounges, and casinos
- Lighting painting and other art, accent pieces, even wine caves (no UV emissions)
- For home use as under cabinet lighting, bookshelves, cupboards, closets, and drawers
- Coin-operated vending machines and arcade games
- Edge lighting glass and reflective materials
- Architectural models and doll houses
- Boat interiors

The Brighter LED Bar requires very little electricity to power it, which means both that it is safe, so there is no danger of shock, and that the bar gives off very little heat, making it perfect to light heat-sensitive items such as paintings, food, wine, etc. Consider swapping out your standard incandescent or fluorescent kitchen lights for a moment. If you are currently using an incandescent source, you will experience a 90% savings by switching to LEDs; retrofitting your fluorescent fixtures with this light bar can save you half the money. That means that this LED light will pay for itself within one year.

Installation of this Light Bar is extremely simple. Every bar includes two mounting clips, and each clip is attached to the surface with one screw. The bar is powered with a 12V DC plug-in adapter or a 12V driver. And, like all Elemental products, the Bright LED Bar has a RoHS (Restriction of Hazardous Materials) certificate, which states that no environmentally harmful components were used in manufacturing.



| length | color | color temp. | lumens | LED type | power consumption | cri | # of LEDs | max. bars per run |
|--------|---------------|-------------|--------|-------------------|-------------------|-----|-----------|-------------------|
| 8.9" | warm white | 2700k | 90 | 5050 tri-chip SMD | 1.44W / 120mA | 71 | 6 | 11 |
| 8.9" | neutral white | 5000k | 96 | 5050 tri-chip SMD | 1.44W / 120mA | 75 | 6 | 11 |
| 13" | warm white | 2700k | 135 | 5050 tri-chip SMD | 2.16W / 180mA | 71 | 9 | 8 |
| 13" | neutral white | 5000k | 144 | 5050 tri-chip SMD | 2.16W / 180mA | 75 | 9 | 8 |
| 19.9" | warm white | 2700k | 225 | 5050 tri-chip SMD | 3.6W / 300mA | 71 | 15 | 7 |
| 19.9" | neutral white | 5000k | 240 | 5050 tri-chip SMD | 3.6W / 300mA | 75 | 15 | 7 |