



Brighter LED Light Bar 3 Fixture Kit

EL-BRTR3KT

Brighter LED Light Bar specs:

L=21 in., W=0.6 in.
 LEDs per bar: 15 x tri-chip SMD
 LED Spacing: 1.4 in. between centers
 Beam Angle: 120°
 Power Consumption: 3W / 250mA per bar

12V Adapter specs:

W=1.77 in., L=3.82 in., D=1.4 in.
 Length (cable): 5 ft.
 Input: 100V - 240V AC, 0.55A, 50/60 Hz
 Output: 12V DC, 2A, 24W



We've assembled this 20" Brighter LED Light Bar 3 Fixture Kit with everything you need for a bright, energy-efficient under cabinet LED lighting installation. This kit includes three Brighter LED Light Bars that consume only 11 Watts of power total, while offering up to 50% more brightness per fixture than an equally-sized LED light bar. And with its compact size, this under cabinet LED light bar makes an excellent and superior alternative to the fluorescent tube. This dimmable LED kit is designed to save you money, at a big savings over purchasing all of these components separately as well as a savings on your electricity bill, and to save you time. This super bright LED package now includes an LED Dimmer Switch.

20" LED Light Bars can be used for a variety of indoor purposes:

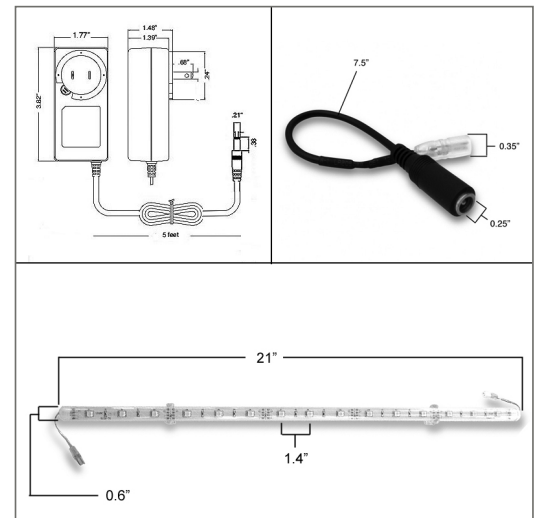
- In businesses such as restaurants, retail stores, bars, lounges, and casinos
- At home as under cabinet lighting, in shelves, cupboards, closets, and drawers
- Coin-operated vending machines and arcade games
- Lighting art, accent pieces, even wine caves (no UV emissions)
- Architectural models and doll houses
- Yachts and cruise ships

We offer this plug-and-play LED kit with a 12V DC adapter, so you won't have to do any wiring, and you can power the bars using an outlet. This kit is available with warm white or neutral white light bars.

This Kit includes:

- 3 x 20" Brighter LED Light Bars
- 1 x LED Light Bar Adapter Cable
- 2 x 40" Light Bar Extension Cables
- 1 x 24 Watt 12V DC Adapter
- 6 x light bar mounting clips

All Elemental products hold the RoHS (Restriction of Hazardous Materials) certificate, which ensures that no environmentally harmful components were used in manufacturing.



color	voltage	lumens	power consumption	IP rating	color temp.	CRI
warm white	12V DC	225	3.6W / 300mA	IP44	3000k	71
neutral white	12V DC	240	3.6W / 300mA	IP44	6500k	75